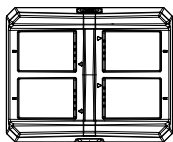


# Hollyland Solidcom 4-slot Charging Case

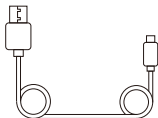
Quick Guide

V1.0.0

# PACKING LIST



①



②



③

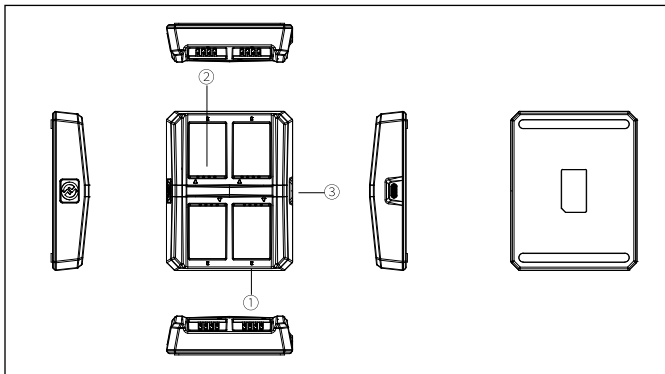


④

① Charging Case	1
② USB to USB-C Cable	1
③ Quick Guide	1
④ Warranty Card	1

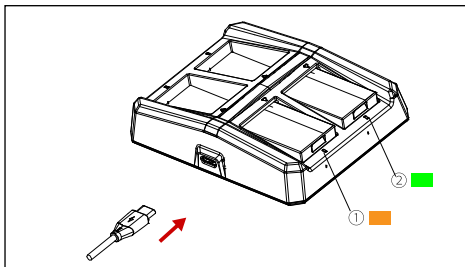
Note: The amount of items depends on the configuration of product.

# PRODUCT INTERFACES



## 1 Charging Case:

- ① Charging Indicator (orange: charging in progress, green: fully charged)
- ② Charging Contacts
- ③ USB-C Charging Port



## 2 Charging Status Indicator:

- ① Indicator Light Stays Orange: charging (for each battery slot)
- ② Indicator Light Stays Green: fully charged (for each battery slot)

## SPECIFICATIONS

Interface	USB-C Interface Charging Connector
Voltage Range	4.5V-12V (Typical: 5V/2A)
Charging Current for Each Slot	About 420mA
Charging Time	About 2.5 hours
Fast Charging	Fast charging protocols are not supported.

# Safety Precautions

Do not place the product near or inside heating devices (including but not limited to microwave ovens, induction cookers, electric ovens, electric heaters, pressure cookers, water heaters, gas stoves) to prevent the battery from overheating and exploding. Never use non-original charging cases, cables and batteries with the product. The use of non-original spare parts may cause electric shock, fire, explosion or other dangers.

## Support

If you encounter any problems in using the product or need any help, please contact Hollyland Support Team via the following ways:

 Hollyland Products User Group

 HollylandTech

 HollylandTech

 Support@ hollyland-tech.com

 www.hollyland-tech.com

Statement:

All copyrights belong to Shenzhen Hollyland Technology Co.,LTD.

Trademark Statement:

Without the written approval of Shenzhen Hollyland Technology Co.,LTD, no organization or individual may copy or reproduce part or all of the content of the text without authorization , and may not disseminate it in any form.

organization or individual may copy or reproduce part or all of the content of the text without authorization , and may not disseminate it in any form.

Note:

Due to product version upgrades or other reasons, this quick guide will be updated from time to time. Unless otherwise agreed, this document is provided as a guide for use only.

All representations, information, recommendations in this document do not constitute warranties of any kind , express or implied.

## **FCC Requirement**

Any changes or modifications not expressly approved by the party responsible for compliance could void the user's authority to operate the equipment. This device complies with Part 15 of the FCC Rules. Operation is subject to the following two conditions:

- (1) this device may not cause harmful interference.
- (2) this device must accept any interference received, including interference that may cause undesired operation.

**FCC Radiation Exposure Statement:**

The device has been tested and comply with FCC SAR limits.

## **Note:**

This equipment has been tested and found to comply with the limits for a Class B digital device, pursuant to Part 15 of the FCC Rules. These limits are designed to provide reasonable protection against harmful interference in a residential installation. This equipment generates, uses, and can radiate radio frequency energy, and if not installed and used in accordance with the instructions, may cause harmful interference to radio communications. However, there is no guarantee that interference will not occur in a particular installation. If this equipment does cause harmful interference to radio or television reception, which can be determined by turning the equipment off and on, the user is encouraged to try to correct the interference by one or more of the following measures:

- Reorient or relocate the receiving antenna.
- Increase the separation between the equipment and receiver.
- Connect the equipment into an outlet on a circuit different from that to which the receiver is connected.
- Consult the dealer or an experienced radio/TV technician for help.