

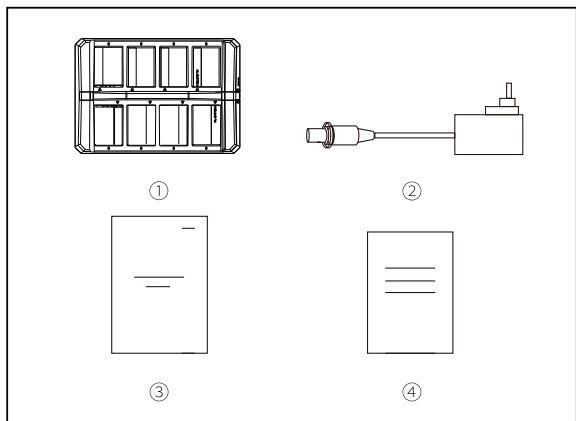


# 8-Slot Battery Charging Case

User Manual

V3.0

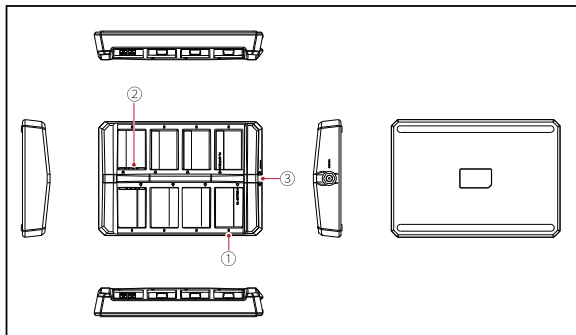
# Packing List



① Charging Case	x1
② DC Adapter	x1
③ User Manual	x1
④ Warranty Card	x1

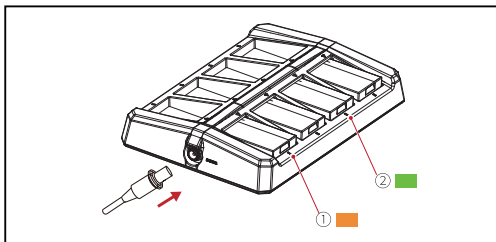
Note: The quantity of the items depends on the product configuration.

## Product Interfaces



### 1 Charging Case:

- ① Charging Indicator (Orange: Charging/Green: Fully Charged)
- ② Charging Contact
- ③ DC Charging Interface



### 2 Charging Indicator:

- ① Indicator Light Stays Orange: Charging (for Each Battery Slot)
- ② Indicator Light Stays Green: Fully Charged (for Each Battery Slot)

## Parameters

Interface	DC charging interface Charging contact
Dimensions	159.07 x 110.85 x 27.00mm (6.26" x 4.36" x 1.06")
Weight	About 234.0g (8.25oz)
Adapter Type	Input: AC 100–240V 50/60 Hz Output: DC 12/2A
Charging Current for Each Slot	About 420mA
Charging Time	About 2.5 hours

## **Safety Precautions**

Do not place the product near or inside heating devices (including but not limited to microwave ovens, induction cookers, electric ovens, electric heaters, pressure cookers, water heaters, and gas stoves) to prevent the battery from overheating and exploding. Do not use non-original charging cases, cables, and batteries with the product. The use of non-original spare parts may cause electric shock, fire, explosion, or other dangers.

# Support


If you encounter any problems in using the product or need any help, please contact Hollyland Support Team via the following ways:

 Hollyland User Group

 HollylandTech

 HollylandTech

 HollylandTech

 support@hollyland.com

 www.hollyland.com

## Statement

All copyrights belong to Shenzhen Hollyland Technology Co., Ltd.

## Trademark Statement

Without the written approval of Shenzhen Hollyland Technology Co., Ltd., no organization or individual may copy or reproduce part or all of any written or illustrative content and disseminate it in any form.

## Note:

Due to product version upgrades or other reasons, this User Manual will be updated from time to time. Unless otherwise agreed, this document is provided as a guide for use only. All representations, information, and recommendations in this document do not constitute warranties of any kind, express, or implied.

# **HOLLYVIEW**

Powered by Hollyland

---

**Shenzhen Hollyland Technology Co., Ltd.**

8F, 5D Building, Skyworth Innovation Valley,  
Tangtou Road, Shiyan Street, Baoan District, Shenzhen, 518108, China

MADE IN CHINA



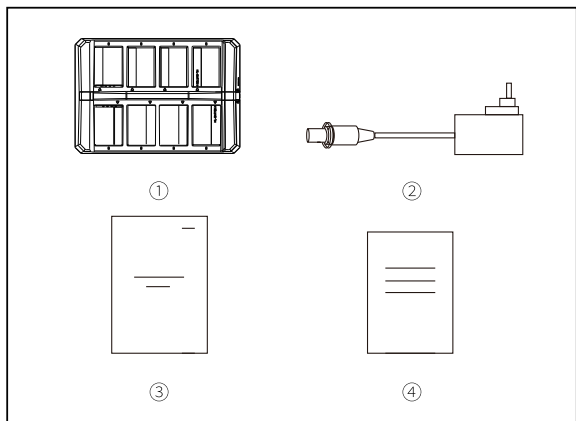
# 8座充電盒

使用手冊

V3.0



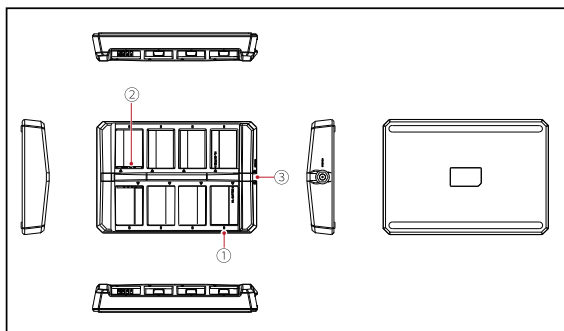
## 包裝清單



- |          |    |
|----------|----|
| ① 充電盒    | x1 |
| ② DC 適配器 | x1 |
| ③ 使用手冊   | x1 |
| ④ 保固卡    | x1 |

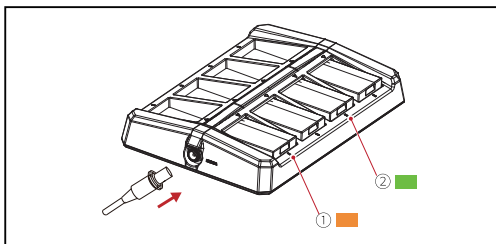
註記：品項數量取決於產品配置。

## 產品介紹



### 1 充電盒：

- ① 充電指示燈（橙色：充電中/綠色：充滿電）
- ② 充電觸點
- ③ 直流充電介面



### 2 充電指示燈

- ① 指示燈保持橙色：充電中（每個電池槽）
- ② 指示燈恆亮綠燈：充滿電（每個電池槽）

## 參數

介面	直流充電介面 充電觸點
尺寸	159.07x110.85x27.00mm (6.26"x4.36"x1.06")
重量	約 234.0g (8.25oz)
配接器類型	輸入: AC 100–240V 50/60 Hz 輸出: DC 12/2A
每個插槽的充電電流	約 420mA
充電時間	約 2.5 小時

## 安全須知






請勿將產品放置在加熱裝置 (包括但不限於微波爐、電磁爐、電烤箱、電暖器、壓力鍋、熱水器和瓦斯爐) 附近或裡面，以防止電池過熱和爆炸。

產品請勿與非原廠充電盒、纜線和電池一起使用。

使用非原廠備用零件可能造成觸電、火災、爆炸或其他危險。

## 支援

如果您在使用產品時遇到任何問題，或需要任何幫助，請透過以下方式聯絡 Hollyland 支援團隊：

-  Hollyland User Group
-  HollylandTech
-  HollylandTech
-  HollylandTech
-  support@hollyland.com
-  www.hollyland.com

### 聲明

版權歸深圳市昊一源科技有限公司所有。未經深圳市昊一源科技有限公司書面許可，任何組織和個人不可複製或轉載任何文字或圖解內容之部分或全部，也不可以任何形式傳播。

### 商標聲明

所有商標均歸深圳市昊一源科技有限公司所有。

### 註記：

由於產品版本升級或其他原因，本使用者手冊將不定期更新。除非另有協議，本文件僅作為使用指南提供。本文件中的所有陳述、資訊、建議不構成任何明示或暗示的保證。

# **HOLLYVIEW**

Powered by Hollyland

---

**Shenzhen Hollyland Technology Co., Ltd.**

8F, 5D Building, Skyworth Innovation Valley,  
Tangtou Road, Shiyan Street, Baoan District, Shenzhen, 518108, China

MADE IN CHINA