

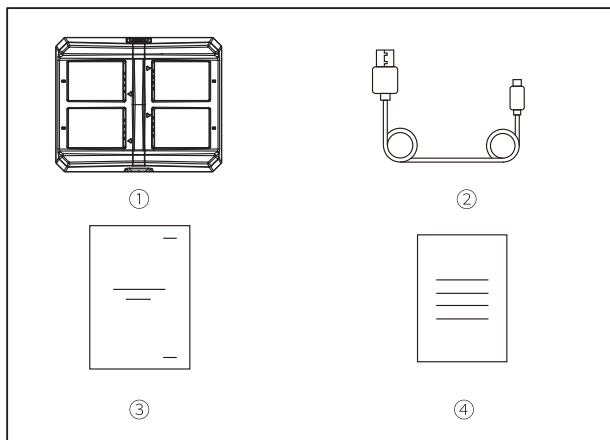


4-Slot Battery Charging Case

User Manual

V3.0

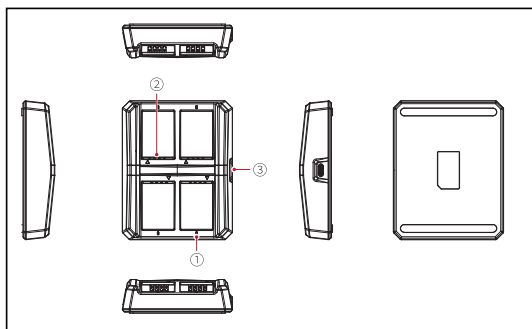
Packing List



① Charging Case	x1
② USB-A to USB-C Cable	x1
③ User Manual	x1
④ Warranty Card	x1

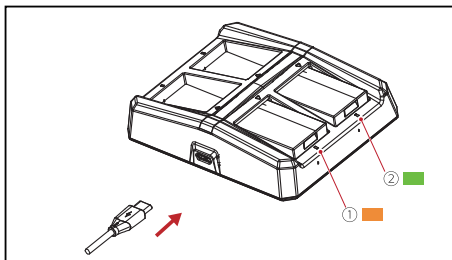
Note: The quantity of the items depends on the product configuration.

Product Interfaces



1 Charging Case:

- ① Charging Indicator (Orange: Charging/Green: Fully Charged)
- ② Charging Contact
- ③ USB-C Charging Interface



2 Charging Indicator:

- ① Indicator Light Stays Orange: Charging (for Each Battery Slot)
- ② Indicator Light Stays Green: Fully Charged (for Each Battery Slot)

Parameters

Interface	USB-C interface Charging contact
Dimensions	89.68 x 110.85 x 27.00mm (3.53" x 4.36" x 1.06")
Weight	About 140g (4.94oz)
Voltage Range	4.5V–12V (Typical: 5V/2A)
Charging Current for Each Slot	About 420mA
Charging Time	About 2.5 hours
Fast Charging	Fast charging protocols are not supported, but fast chargers can be used for a 5V power supply.

Safety Precautions

Do not place the product near or inside heating devices (including but not limited to microwave ovens, induction cookers, electric ovens, electric heaters, pressure cookers, water heaters, and gas stoves) to prevent the battery from overheating and exploding. Do not use non-original charging cases, cables, and batteries with the product. The use of non-original spare parts may cause electric shock, fire, explosion, or other dangers.

Support


If you encounter any problems in using the product or need any help, please contact Hollyland Support Team via the following ways:

 Hollyland User Group

 HollylandTech

 HollylandTech

 HollylandTech

 support@hollyland.com

 www.hollyland.com

Statement

All copyrights belong to Shenzhen Hollyland Technology Co., Ltd.

Trademark Statement

Without the written approval of Shenzhen Hollyland Technology Co., Ltd., no organization or individual may copy or reproduce part or all of any written or illustrative content and disseminate it in any form.

Note:

Due to product version upgrades or other reasons, this User Manual will be updated from time to time. Unless otherwise agreed, this document is provided as a guide for use only. All representations, information, and recommendations in this document do not constitute warranties of any kind, express, or implied.

HOLLYVIEW

Powered by Hollyland

Shenzhen Hollyland Technology Co., Ltd.

8F, 5D Building, Skyworth Innovation Valley,
Tangtou Road, Shiyan Street, Baoan District, Shenzhen, 518108, China

MADE IN CHINA